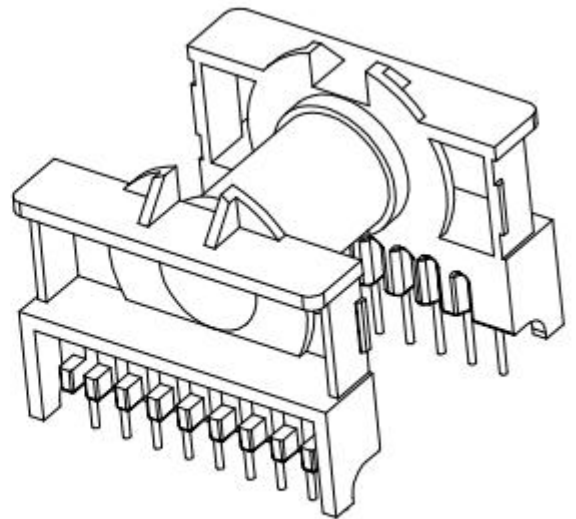
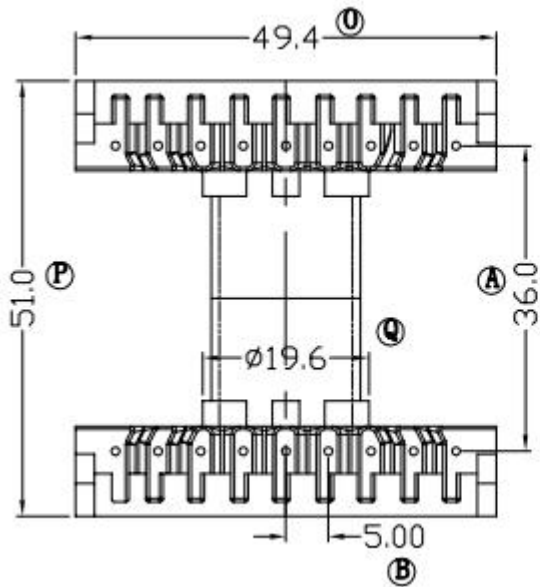
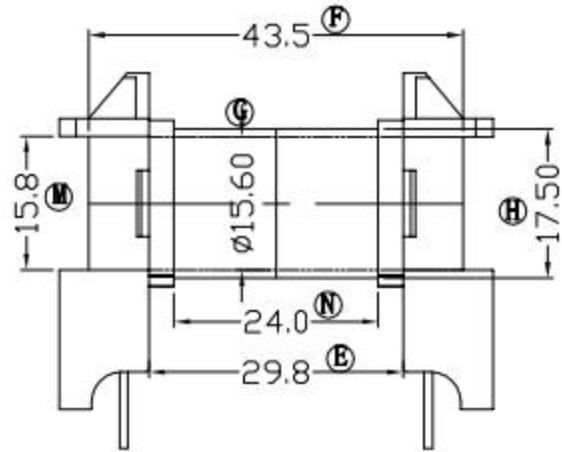
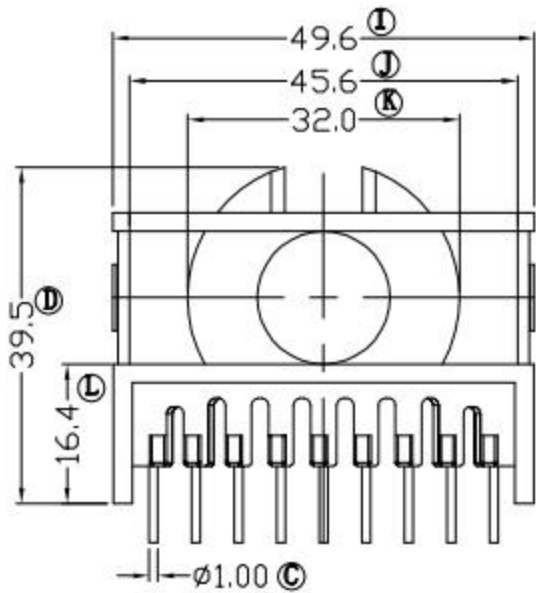


型号 (TYPE)

005140442181101



广州市通洋电子有限公司
Guangzhou Tongyang Electronics Co.,LTD

MODEL

ETD44/22/15卧式9+9带卡槽

MATERIAL

PHENOLIC

TEL

020-81786686

TOLERANCE

SCALE

DRAFTED: OU YANG

FAX

020-81972401

0<L≤4 ±0.1
4<L≤16 ±0.2
16<L≤63 ±0.3
Pin pitch ±0.2

4/1

APPROVEDE: SHI RONG

E-MAIL

ywb@gztydz.com

UNIT

MM

DATE

2016-10-17